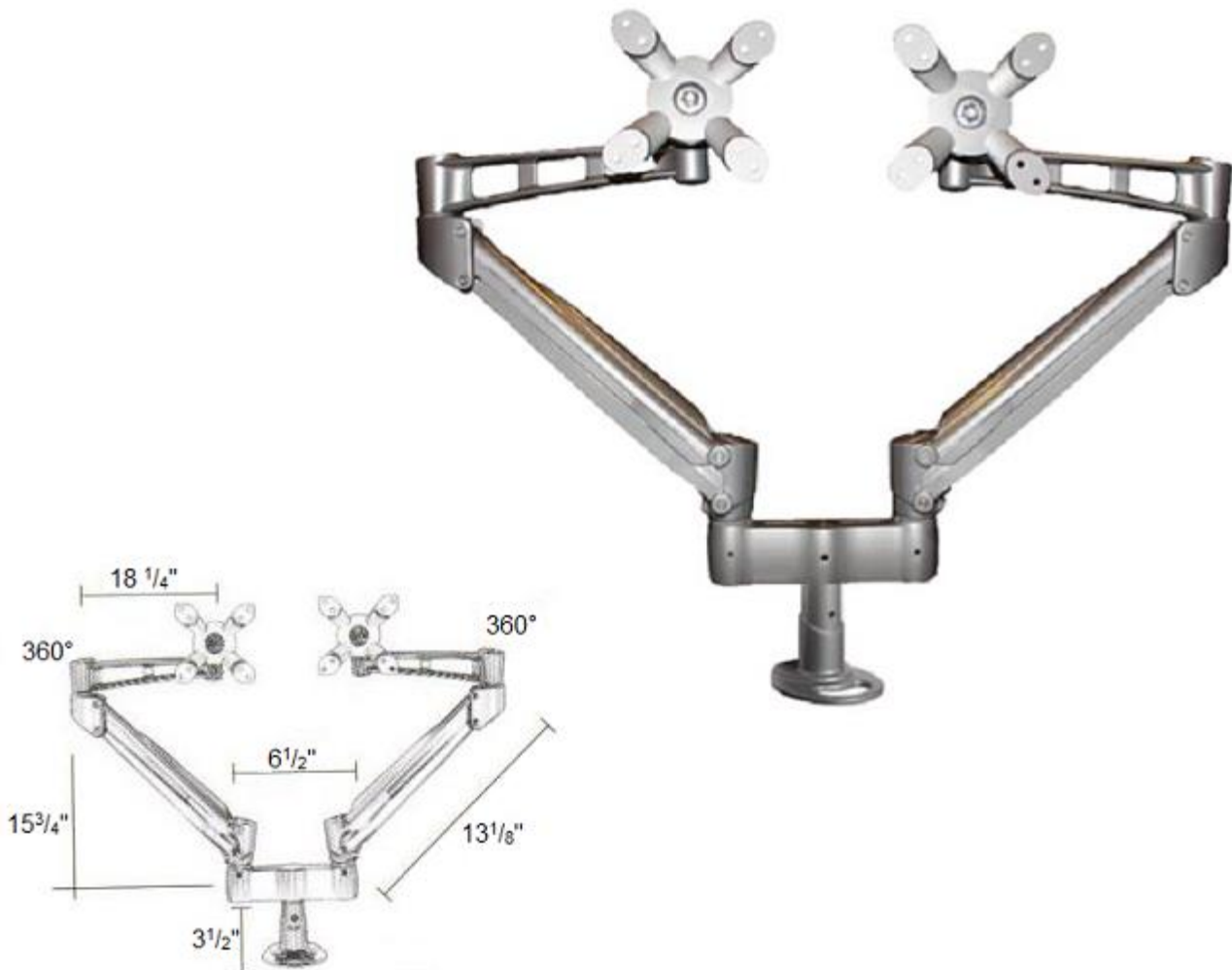


NORTHWEST **Desk Solutions**



NW Dual Monitor Arm

Colors: Silver & Black

Spring over gas shock

Min to Max weight: 8.8 to 19.8 lbs.

Monitor size up to 28"

Part # Dual Arm Silver - NWDMASIL

Part# Dual Arm Black - NWDMABL

WWW.NORTHWESTDESKSOLUTIONS.COM